

R 430 TR

CHASSIS
MANICO
COMANDI
DOTAZIONE VITERIE

DECK
HANDLE
CONTROLS
SCREWS OUTFITS

CHÂSSIS
MANCHERON
COMMANDES
DOTATION VISSERIE

GEHÄUSE
HOLM
BETÄTIGUNGEN
SCRAUBENSATZ

SPARE PARTS CATALOGUE

ERSATZTEILKATALOG

GB

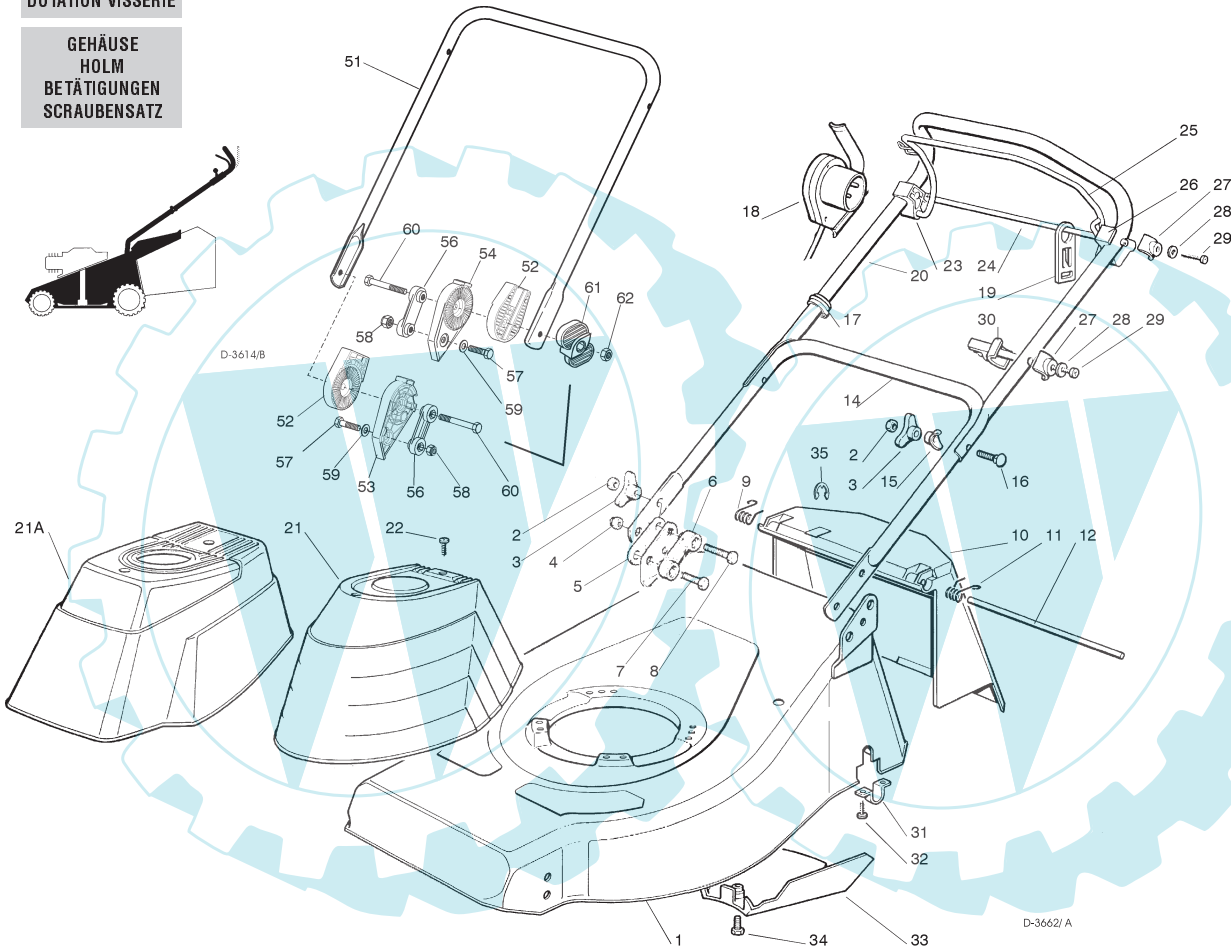
D

CATALOGO DELLE PARTI
DI RICAMBIO

CATALOGUE DES PIÈCES
DE RECHANGE

I

F



T-3662/ A

Pos. Nr.	Codice Code Kodex	Q.tà Q.ty-Q.tè Menge	Descrizione	Description	Description	Beschreibung
1			CHASSIS	DECK	CHÂSSIS	GEHÄUSE
—	81001627/ 0	1	ROSSO	RED	ROUGE	ROTES
—	81001628/ 0	1	GIALLO	YELLOW	JAUNE	GELBES
—	81001629/ 0	1	VERDE	GREEN	VERT	GRÜNES
2	12293200/ 0	4	DADO	NUT	ECROU	MUTTER
3	22399900/ 0	4	MANOPOLINA	KNOB	POIGNÉE	GRIF
4	12155000/ 0	2	DADO	NUT	ECROU	MUTTER
5	22551574/ 0	2	PIASTRINA ESTERNA	OUTSIDE PLAQUE	PLAQUETTE EXTERNE	INNERE PLATTE
6	22551575/ 0	2	PIASTRINA INTERNA	INSIDE PLAQUE	PLAQUETTE INTERNE	INNERE PLATTE
7	12793300/ 0	2	VITE	SCREW	VIS	SCHRAUBE
8	12691115/ 0	2	VITE	SCREW	VIS	SCHRAUBE
9	22450410/ 1	1	MOLLA DESTRA	RIGHT SPRING	RESSORT DROITE	RECHTE FEDER
10	22600028/ 4	1	PARASASSI	STONEGUARD	PAREPIERRES	PRALLBLECH
11	22450420/ 1	1	MOLLA SINISTRA	LEFT SPRING	RESSORT GAUCHE	LINKE FEDER
12	22517906/ 1	1	PERNO	PIN	PIVOT	BOLZEN
14	81006512/ 0	1	PARTE INFERIORE MANICO	LOWER HANDLE	PARTIE INF. MANCHERON	OBERHOLM

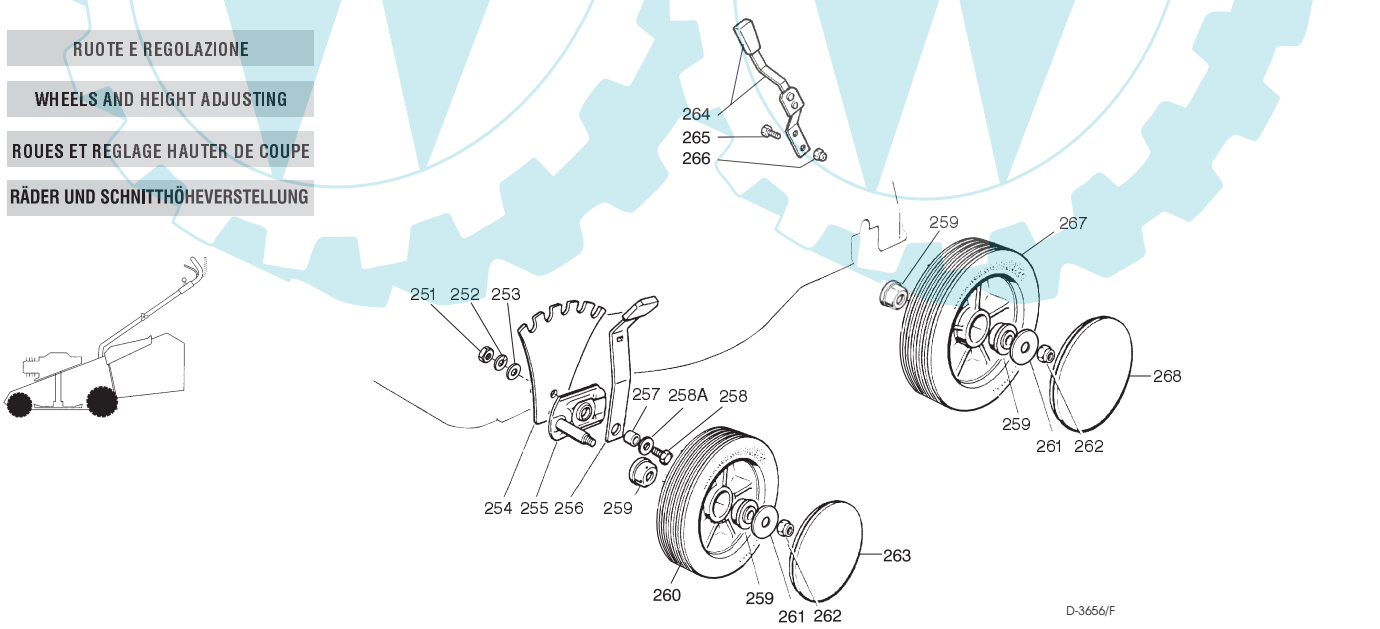
Pos. Nr.	Codice Code Kodex	Q.tà Q.ty-Q.tè Menge	Descrizione	Description	Description	Beschreibung
15	22680006/ 1	2	RONDELLA	WASHER	RONDELLE	SCHEIBE
16	12819201/ 0	2	VITE	SCREW	VIS	SCHRAUBE
17	22192000/ 1	2	FASCETTA ANCORAGGIO	ANCHOR CLAMP	COLLIER ANCRAGE	BOWDENZUGHALTER
18	18710603/ 0	1	SALVAMOTORE M.M. 11A	DEAD HAND SWITCH 11A	INT. MAIN MORTE 11A	TOT MANSCHALTER 11A
			602 MS	602 MS	602 MS	602 MS
19	22195101/ 1	1	FERMACAVO	FAIR LEAD	FIXATION CABLE	KABELBEFESTIGUNG
20	81006997/ 0	1	PORTE SUPERIORE MANICO	UPPER HANDLE	PARTIE SUP. MANCHERON	UNTERHOLM
21	81002057/ 0	1	CAPOTTINA	COVER	CAPOT	HAUBE
21A	81002059/ 0	1	CAPOTTINA	COVER	CAPOT	HAUBE
22	12728680/ 0	2	VITE	SCREW	VIS	SCHRAUBE
23	22806515/ 0	1	SUPPORTO DESTRO	RIGHT FIXED BEARING	SUPPORT DROITE	RECHTER HALTER
24	22020320/ 0	1	AGGANCIO FERMACAVO	FAIRLEAD BEARING	SUPPORT SERRECCABLE	KABELHALTER
25	81001241/ 0	1	LEVA TRAZIONE	DRIVING LEVER	LEVIER TRACTION	ANTRIEBHEBEL
26	22806516/ 0	1	SUPPORTO SINISTRO	LEFT FIXED BEARING	SUPPORT GAUCHE	LINKER HALTER
27	22680007/ 0	3	RONDELLA	WASCHER	RONDELLE	SCHEIBE
28	12523040/ 0	3	RONDELLA	WASCHER	RONDELLE	SCHEIBE
29	12735103/ 0	3	VITE	SCREW	VIS	SCHRAUBE
30	22806510/ 0	1	SUPPORTO REGISTRO	ADJUSTER SUPPORT	SUPPORT ECROU REG.	REGLERHALTER
31	22545152/ 0	2	PIASTRINA	PLATE	PLAQUETTE	PLATTE
32	12731350/ 0	4	VITE	SCREW	VIS	SCHRAUBE
33	22060170/ 0	1	CARTER CINGHIA	BELT PROTECTION	PROTECTION CORROIRE	RIEMENSCHUTZ
34	12727791/ 0	1	VITE	SCREW	VIS	SCHRAUBE
35	12000930/ 0	1	ANELLO ELASTICO	SNAP RING	ANNEAU RESSORT	SPRENGRING

—	81008596/ 1	1	DOTAZIONE VITERIA	SCREWS OUTFIT	DOTATION VISSERIE	SCHRAUBEN SATZ
---	-------------	---	-------------------	---------------	-------------------	----------------

T-3614/ B

			VARIANTE REGOLAZIONE MANICO	HANDLE ADJUSTMENT VARIANT	VARIANTE REGLAGE POIGNEE	GRIFFEINSTELLVARIANTE
51	81006510/ 0	1	PARTE INFR. MANICO	LOWER HANDLE	PARTIE INF. MANCHERON	UNTERHOLM
52	22785081/ 0	2	SUPPORTO ESTERNO	EXTERNAL SUPPORT	SUPPORT EXTERNE	AUßERE HALTERUNG
53	22785082/ 0	1	SUPPORTO INTERNO DX	R. INTERNAL SUPPORT	SUPPORT INTERNE DROIT	INNERE HALTERUNG RECHTS
54	22785083/ 1	1	SUPPORTO INTERNO SX	L. INTERNAL SUPPORT	SUPPORT INTERNE GAUCHE	INNERE HALTERUNG LINKS
56	22551575/ 0	2	PIASTRINA INTERNA	INSIDE PLAQUE	PLAQUETTE INTERNE	INNERE PLATTE
57	12793701/ 0	2	VITE	SCREW	VIS	SCHRAUBE
58	12155000/ 0	2	DADO	NUT	ECROU	MUTTER
59	12521350/ 0	2	RONDELLA	WASHER	RONDELLE	SCHEIBE
60	12691810/ 0	2	VITE	SCREW	VIS	SCHRAUBE
61	22399803/ 0	2	MANOPOLINA	KNOB	POIGNEE	GRIFFE
62	12293202/ 0	2	DADO	NUT	ECROU	MUTTER
—	81008622/ 0	1	DOTAZ. VITERIA	SCREWS OUTFIT	DOTATION VISSERIE	SCHRAUBEN SATZ

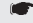

RUOTE E REGOLAZIONE
WHEELS AND HEIGHT ADJUSTING
ROUES ET REGLAGE HAUTER DE COUPE
RÄDER UND SCHNITTHÖHEVERSTELLUNG



D-3656/F

T-3656/ F

251	12293200/ 0	2	DADO	NUT	ECROU	MUTTER
252	12583500/ 0	2	GROWER	GROWER	GROWER	FEDERRING
253	12523070/ 0	2	RONDELLA	WASHER	RONDELLE	SCHEIBE
254	22735537/ 0	2	SETTORE REGOLAZIONE	ADJUSTMENT SECTOR	SECTEUR REGLAGE	VERSTELLUNGSEKTOR
255	81005082/ 0	2	SUPP. RUOTA	WHEEL SUPPORT	SUPPORT ROUE	RADHALTER
256	81003273/ 0	2	LEVA REGOLAZIONE	ADJUSTMENT LEVER	LEVIER REGLAGE	VERSTELLUNGHEBEL
257	22171001/ 0	2	DISTANZIALE	SPACER	ENTRETOISE	DISTANZRING
258	12793701/ 0	2	VITE	SCREW	VIS	SCHRAUBE
258A	12521350/ 0	2	RONDELLA	WASHER	RONDELLE	SCHEIBE
259	22034508/ 0	8	BOCCOLA	BUSH	DOUILLE	BUCHSE
260	81007326/ 0	4	RUOTA Ø 170	WHEEL Ø 170	ROUE Ø 170	RAD Ø 170
261	12523060/ 0	4	RONDELLA	WASHER	RONDELLE	SCHEIBE
262	12155000/ 0	4	DADO	NUT	ECROU	MUTTER

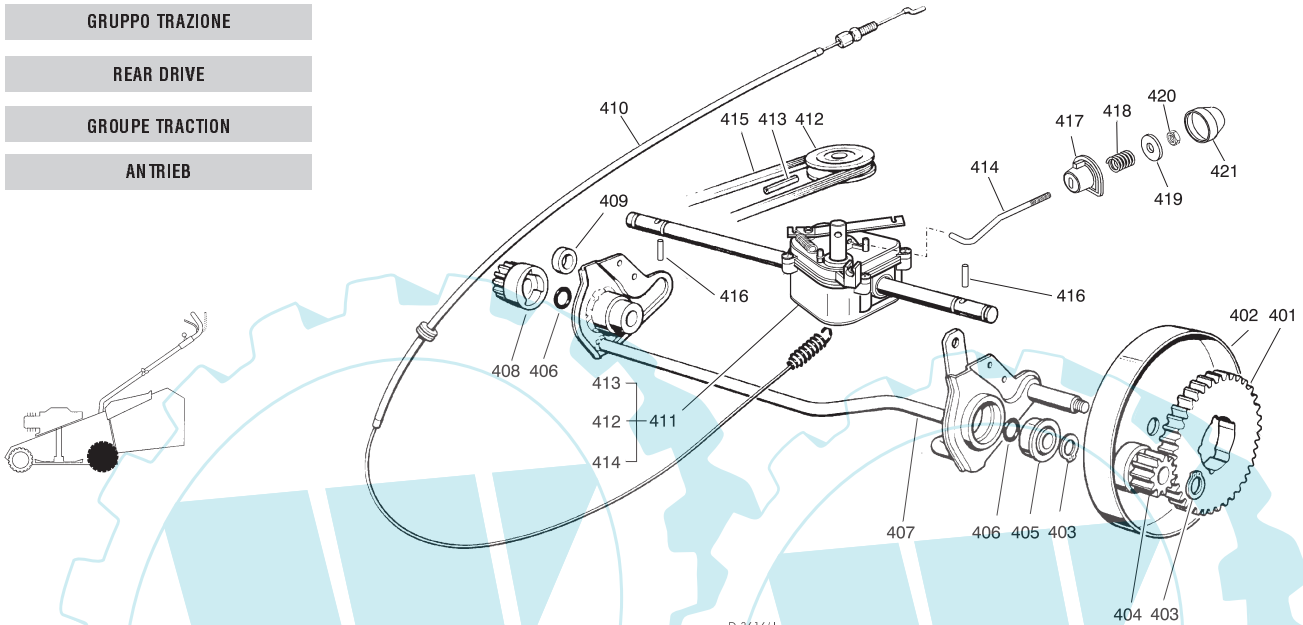
Pos. Nr.	Codice Code Kodex	Q.tà Q.ty-Q.tè Menge	Descrizione	Description	Description	Beschreibung
263			COPRIMOZZO	HUB CAP	COUVRE-MOYEU	RADKAPPE
—	22110262/0	2	BIANCO	WHITE	BLANC	WEIÙE
—	22110263/0	2	GIALLO	YELLOW	JAUNE	GELBE
—	22110264/0	2	ROSSO	RED	ROUGE	ROTE
264	81003279/2	1	LEVA REGOLAZIONE	ADJUSTMENT LEVER	LEVIER REGLAGE	VERSTELLUNGHEBEL
265	12789000/0	2	VITE	SCREW	VIS	SCHRAUBE
266	12154330/0	2	DADO	NUT	ECROU	MUTTER
267	81007328/0	2	RUOTA Ø 210	WHEEL Ø 210	ROUE Ø 210	RAD Ø 210
268			COPRIMOZZO	HUB CAP	COUVRE-MOYEU	RADKAPPE
—	22110265/0	2	BIANCO	WHITE	BLANC	WEIÙE
—	22110266/0	2	GIALLO	YELLOW	JAUNE	GELBE
—	22110267/0	2	ROSSO	RED	ROUGE	ROTE

GRUPPO TRAZIONE

REAR DRIVE


GROUPE TRACTION

ANTRIEB



D-3616/I

T-3616/I

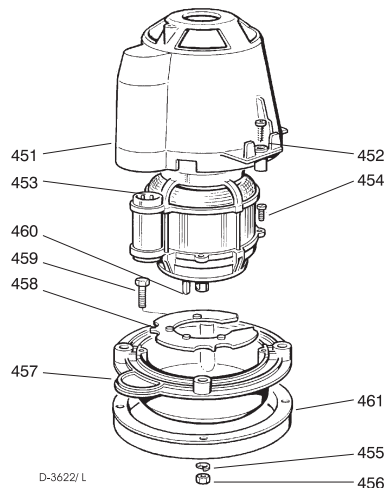
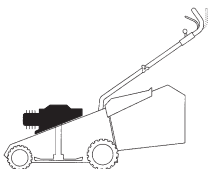
401	22120105/1	2	CORONA	RING GEAR	COURONNE	KRANZ
402	81006846/0	2	PROTEZIONE RUOTE	WHEEL GUARD	PROTECTION ROUE	RÄDERSCHUTZ
403	12608600/0	4	SEEGER	SEEGER	SEEGER	SEEGER
404	22570120/0	1	PIGNONE SINISTRO	LEFT PINION	PIGNON GAUCHE	LINKES RITZEL
405	22122200/0	2	CUSCINETTO	BEARING	COUSSINET	LAGER
406	12019900/0	2	ANELLO OR	OR RING	BAGUE OR	RING OR
407	81001252/1	1	ASSE RUOTE POSTERIORE	REAR WHEELS AXLE	AXE ROUES ARRIERE	HINTERRADACHSE
408	22570110/0	1	PIGNONE DESTRO	RIGHT PINION	PIGNON DROITE	RECHTES RITZEL
409	22170800/0	1	DISTANZIALE	SPACER	ENTRETOISE	DISTANZRING
410	81001138/0	1	COMANDO TRAZIONE	REAR DRIVE ASS.Y	ENS. COMMANDE TRACTION	ANTRIEBKABEL
411			ASS. GRUPPO TRAZIONE	GEAR BOX ASS.Y	ENS. GROUPE TRACTION	ANTRIEBSATZ
—	81003059/0	1	(PLASTICA)	(PLASTIC)	(PLASTIQUE)	(KUNSTSTOFF)
—	81003060/0	1	(ALLUMINIO)	(ALUMINIUM)	(ALUMINIUM)	(ALUMINIUM)
412	22601904/0	1	PULEGGIA 4 KM/ H	PULLEY 4 KM/ H	POULIE 4 KM/ H	RIEMENSCHLEIBE 4 KM/ H
413	12645705/0	1	SPINA	PIN	GOUPILLE	STIFT
414	22033280/0	1	ASTA REGOLAZIONE	ADJUSTMENT ROD	TIGE REGLAGE	VERSTELLUNGSTANGE
415	35063710/0	1	CINGHIA Z 25	BELT Z 25	COURROIE Z 25	RIEMEN Z 25
416	22753000/0	2	SPINA	PIN	GOUPILLE	STIFT
417	22041957/0	1	BUSSOLA	BUSH	DOUILLE	BUCHSE
418	22450063/0	1	MOLLA	SPRING	RESSORT	FEDER
419	22680009/0	1	RONDELLA	WASHER	RONDELLE	SCHEIBE
420	12154510/0	1	DADO	NUT	ECROU	MUTTER
421	22110230/0	1	TAPPO	CAP	BOUCHON	GUMMISTOPFEN

GRUPPO MOTORE ELETTRICO

MOTOR ASS.Y

MOTEUR ELECTRIQUE

ELEKTROMOTOR



D-3622/L

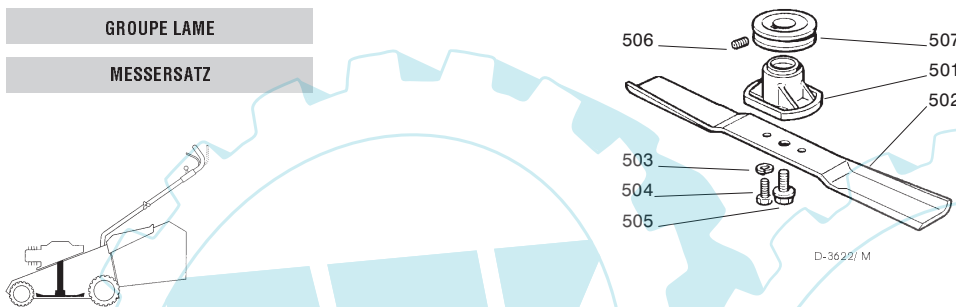
Pos. Nr.	Codice Code Kodex	Q.tà Q.ty-Q.tè Menge	Descrizione	Description	Description	Beschreibung
451	22785061/ 0	1	SUPPORTO CAPOTTINA	COVER SUPPORT	SUPPORT CAPOT	HAUBEHALTER
452	12728710/ 0	4	VITE	SCREW	VIS	SCHRAUBE
453	18563070/ 1	1	MOTORE IBMEI 1600W (230V)	IBMEI MOTOR 1600W (230V)	MOTEUR IBMEI 1600W (230V)	MOTOR IBMEI 1600W (230V)
453b	18740049/ 0	1	VENTOLA MOTORE IBMEI	IBMEI MOTOR FAN	VENTILATEUR MOTEUR IBMEI	IBMEI LÜFTER
453c	18222038/ 0	1	CONDENSATORE 20 µF	CONDENSER 20 µF	CONDENSEUR 20 µF	KONDENSATOR 20 µF
454	12735410/ 0	4	VITE	SCREW	VIS	SCHRAUBE
455	12583500/ 0	4	GROWER	GROWER	GROWER	FEDERRING
456	12293200/ 0	4	DADO	NUT	ECROU	MÜTTER
457	22207211/ 3	1	FLANGIA	FLANGE	BRIDE	FLANSCH
458	22720360/ 1	1	SCHERMO VENTILAZIONE	VENTILATION SCREEN	ECRAN VENTILATION	LÜFTUNGSSCHIRM
459	12691800/ 0	4	VITE	SCREW	VIS	SCHRAUBE
460	12139440/ 0	1	LINGUETTA	FEATHER	CLAVETTE	KEIL
461	81003471/ 0	1	DISTANZIALE	SPACER	ENTRETOISE	DISTANZRING

GRUPPO COLTELLO

BLADE ASS.Y

GROUPE LAME

MESSERSATZ



T-3622/ M

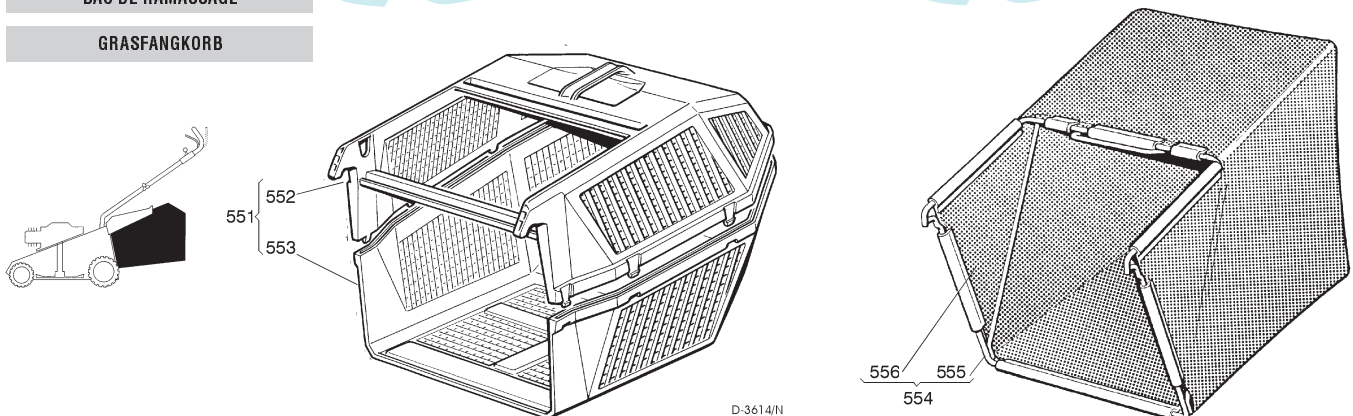
501	22463186/ 2	1	MOZZO	HUB	MOYEU	NABE
502	81004341/ 2	1	COLTELLO	BLADE	LAME	MESSER
—	81004396/ 0	1	STANDARD	STANDARD	STANDARD	STANDARD
—	81004396/ 0	1	ALETTATO	WINGED	AILETTÉE	FLÜGEL
503	12583500/ 0	2	GROWER	GROWER	GROWER	FEDERRING
504	12793101/ 0	2	VITE	SCREW	VIS	SCHRAUBE
505	81004352/ 0	1	VITE	SCREW	VIS	SCHRAUBE
506	12713801/ 0	1	GRANO	DOWEL	GRAIN	STIFT
507	81000830/ 0	1	PULEGGIA	PULLEY	POUILE	RIEMENSCHLEIBE

SACCO RACCOGLIERBA

GRASS-CATCHER

BAC DE RAMASSAGE

GRASFANGKORB



T-3614/ N

551	98005000/ 1	1	SACCO COMPLETO	COMPLETE GRASS-BOX	SAC COMPLET	KOMPLETTER KORB
552	22486076/ 0	1	PARTE SUP. SACCO	UPPER GRASS BOX	PARTIE SUP. SAC	OBERSKORB
553	22486077/ 0	1	PARTE INF. SACCO	LOWER GRASS BOX	PARTIE INF. SAC	UNTERS KORB
554	98004000/ 0	1	ASS. SACCO IN TELA	CANVASS GRASSCATCHER	ENSEMBLE SAC EN TOILE	KOMPLETTER SACK
555	81006408/ 0	1	TELAIO	CHASSIS	CHÂSSIS	RAHMEN
556	81002105/ 2	1	TELA SACCO	FABRIC BOX	TOILE POUR SAC	TUCK FÜR SACK